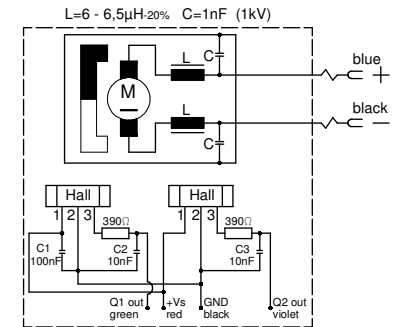
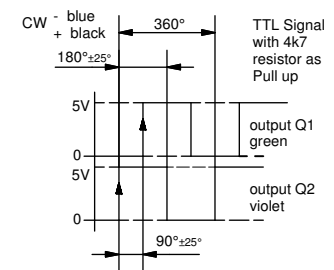
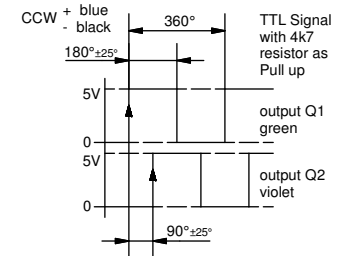


PIN assignment:

- 1. Motor black - Wire AWG18
 - 2. Motor blue + pin type AMP170364
 - 3. Hall sensor red + 5V
 - 4. Hall sensor, violet, output 2
 - 5. Hall sensor black -
 - 6. Hall sensor, green, output 1
- Wire AWG26
pin type AMP170363



HALL SENSOR:
DIODES AH3761
DIODES AH3774-WG-7



TEC 24

tec24.info

DC Antrieb 24V
3133.48-0009